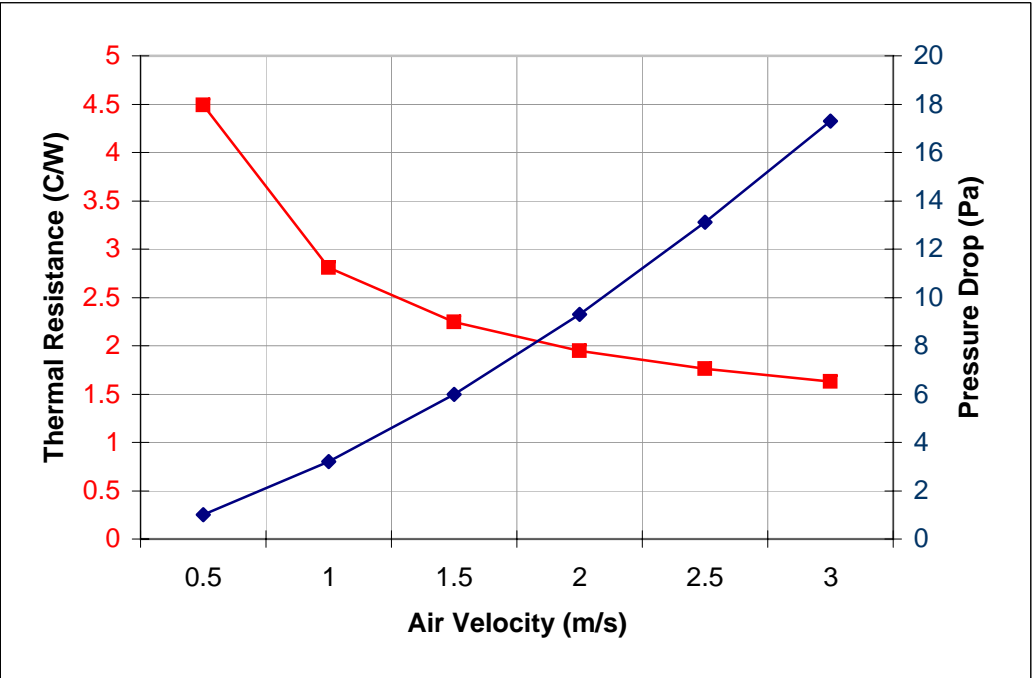
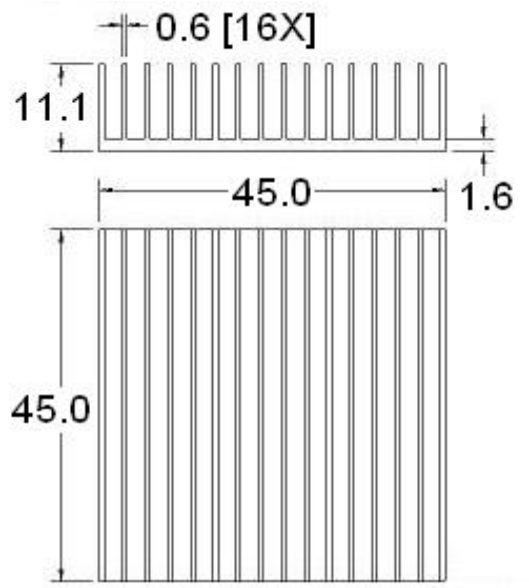


PROPRIETARY AND CONFIDENTIAL

The information contained in this drawing is the sole property of Baknor. Any reproduction in part or as a whole without the written permission of Baknor is prohibited.

REVISIONS			
REV	DESCRIPTION	DATE	APPROVED
0	FIRST RELEASE	14/6/2010	E.R.

THERMAL PERFORMANCE*



*Thermal performance graphs are generated using thermal analysis software. Baknor recommends that our customers test the heat sink in their application.

FINISH [S]	INTERFACE [I]
B – Black anodize	1 – Chomerics T404
C – Clear anodize	2 – Chomerics T405
R – Chromate	3 – Chomerics T410
X – Custom	4 – Chomerics T411
N – None	5 – Chomerics T412
	6 – Bergquist BP100 (5 mil)
	7 – Bergquist BP100 (8 mil)
	8 – Bergquist BP100 (11 mil)
	0 – None

TOLERANCES:	
.X	±0.15
.XX	±0.07
ANGLES: ±0.5°	
ALL DIMENSIONS IN mm	
MATERIAL:	AL 6063-T6
FINISH:	SEE TABLE

5225 Orbitor Drive, Unit 2, Mississauga, Ontario
Canada L4W 4Y8
Tel: +905-624-1800; Toll Free: 1-877-902-2566
Fax: +905-629-1795
www.baknorthermal.com

DRAWN:	J.P. (yy-mm-dd)	BTM-B04511SIPN	
CHECKED:	J.P. (yy-mm-dd)		
APPROVED:	E.R. (yy-mm-dd)		
SIZE:	FILE:	DWG. NO.:	REV:
A	BTM-B04511SIPN.wks	BTM-B04511SIPN-DWG	0
SCALE:	NTS	SHEET:	OF:
		1	1